

Air-Operated Double Diaphragm Pumps



1/2" TC-X151 Series

A pump specially designed for reliable start/stop and running against dead head & high pressure type applications.

Maximum Flow Rate: 14.3 GPM (54 L/Min)
 Maximum Discharge Head: 230 ft (70 m)
 Available in: Stainless Steel, PVDF, Polyoxymethylene (Acetal®), Aluminum,
 Glass Fiber Reinforced Polypropylene

Spool valve type: C-Spring Valve
 Check valves: Flat Valve & Ball options
 Certification: CE, ATEX (select models), FDA (SS models)



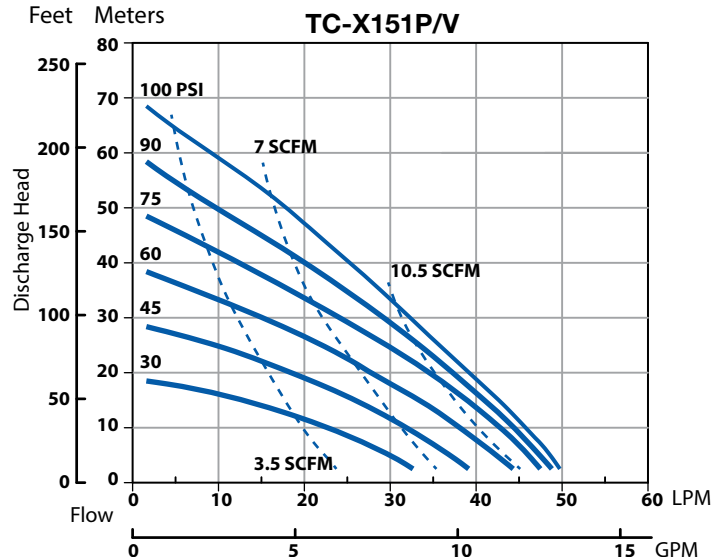
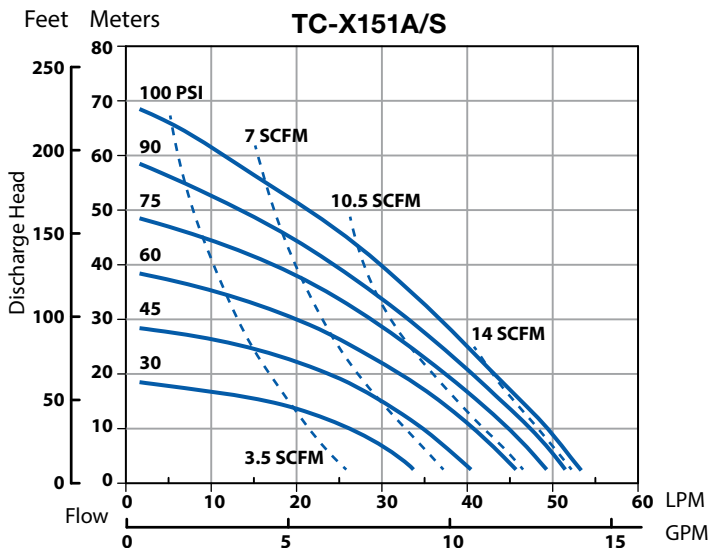
SPECIFICATIONS					
Material Code*	A"X"	S"X"	P"X"	V"X"	DT
Max Flow Rate	14.3 GPM (54 LPM)		13.2 GPM (50 LPM)		
Max Air Pressure	100 PSI (0.7 MPa)				
Max Air Consumption	15.9 scfm (450 L/min)		14.1 scfm (400 L/min)		
Supply Air Pressure Range ¹	30-100 PSI (0.2 - 0.7 MPa)				
Liquid Discharge Volume per cycle	2.4 oz (70 mL)				
Connection Suction x Discharge	NPT 1/2"				
Weight	9.04 lbs (4.1 kg)	13.9 lbs (6.3 kg)	7.7 lbs (3.5 kg)	9.48 lbs (4.3 kg)	7.7 lbs (3.5 kg)

* See Chart and Model Number nomenclature on back page for materials
 Note 1: A supply air pressure of 30 PSI (0.2 MPa) or more is required to operate the pump. If the supply pressure is less than 30 PSI (0.2 MPa), the pump may not operate properly.
 Pump Liquid Temperature Range: A"X", S"X" 32-158°F (0-70°C) CR, NBR Diaphragm 32-158°F (0-70°C) TPEE Diaphragm 32-176°F (0-80°C) TPO, PTFE Diaphragm 32-212°F (0-100°C)
 P"X", V"X" 32-140°F (0-60°C)
 Ambient Temperature Range: 32-158°F (0-70°C)
 Slurry Recommendation: A"X", S"X" Particle Size: 0.04" (1mm) or less P"X", V"X" Flat valve type pumps are not available for use in slurry liquid
 Viscosity Limit: ~500 cps (0.5 Pa·s) (Please contact your distributor for more details)

PERFORMANCE CURVES

— Flow
 - - - - Air

Conditions:
 4" (10 cm) flooded suction.
 Ambient temperature: 72°F (22°C)
 Liquid temperature: 63-68°F (17-20°C)



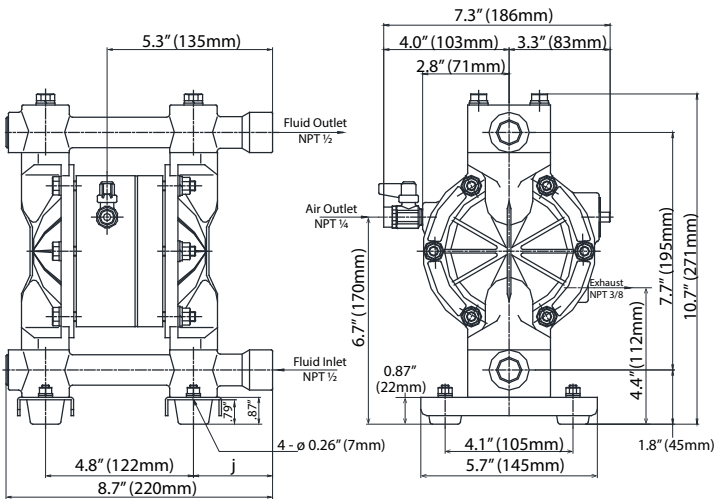
1/2" TC-X151 Series

WET END MATERIALS								
Code	Pump wetted parts	Diaphragm	Ball Valve/O-Ring	Flat Valve	Valve Seat	Valve Stopper	Outer Diaphragm Plate	Center Body
AC	AL Alloy	Neoprene™	Neoprene™/BUNA	----	AL	----	AL	Ryton®
AN		BUNA	BUNA					
AT		PTFE	PTFE					
AH		Hytrel™	Hytrel™/BUNA					
AS		Santoprene®	Santoprene®/EPDM					
SC	Cast SS	Neoprene™	Neoprene™/BUNA	----	SS316	----	SS316	
SN		BUNA	BUNA					
ST		PTFE	PTFE					
SH		Hytrel™	Hytrel™/BUNA					
SH		Santoprene®	Santoprene®/EPDM					
PC	PPG	Neoprene™	----	PTFE	BUNA	PPG	PPG (SS303*)	
PN		BUNA						
PT		PTFE						
PH		Hytrel™						
PS		Santoprene®						
VT	PVDF	PTFE	----	----	PVDF	PVDF	PVDF (SS303*)	
VS		Santoprene®						
DT	Acetal	PTFE	----	----	Acetal	Acetal	Acetal (SS303*)	

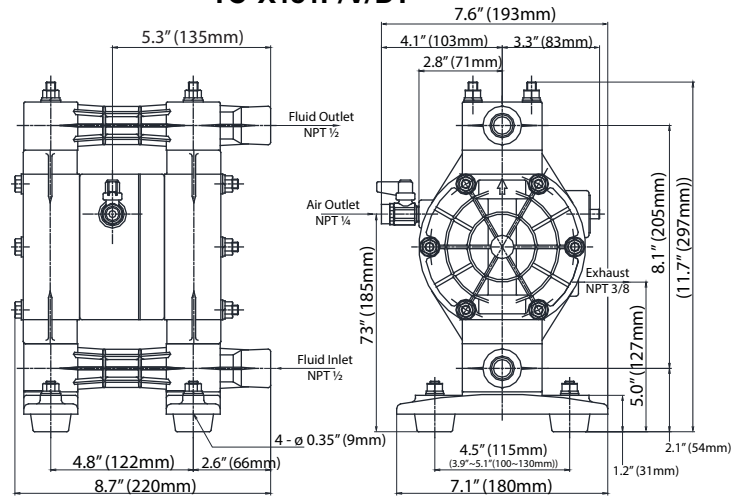
AL Alloy Aluminum Alloy (ADC12)
 AL Aluminum (A5056)
 Neoprene™ Chloroprene Rubber (CR)
 BUNA Nitrile Rubber (NBR)
 Cast SS Cast Stainless Steel (SCS14)
 *SS303 Stainless Steel (Insert material)
 SS316 Stainless Steel Grade 316
 PPG Glass Fiber Reinforced Polypropylene
 PTFE Polytetrafluoroethylene (Teflon®)
 PVDF Polyvinylidene Fluoride (Kynar®)
 Hytrel™ Thermoplastic Polyester Elastomer (TPEE)
 Santoprene® Thermoplastic PolyOlefin (TPO)
 Acetal Polyoxymethylene (POM)
 Ryton® Polyphenylene Sulphide (PPS)

DIMENSIONS in inches (mm)

TC-X151A/S (max dimensions shown)



TC-X151P/V/DT



MODEL NUMBER NOMENCLATURE

Series: TC-X

TC-X 151 P T - BV - NPT

Pump Connection Size: 151 (1/2" x 1/2")

Pump Body Material (wetted):
 P: PPG A: Aluminum (ADC12)
 D: Acetal (POM) S: Cast Stainless Steel (SCS14)
 V: PVDF

Diaphragm Material:
 T: PTFE N: BUNA (NBR)
 H: Hytrel™ (TPEE) E: Nordel (EPDM)
 S: Santoprene® (TPO) C: Neoprene™ (CR)

Connection Type: NPT: Threaded

Check Valve Type:
 Blank: Flat Valve BV: Ball Valve